

ANCHOR PIPE COUPLINGS

FEBRUARY 2021

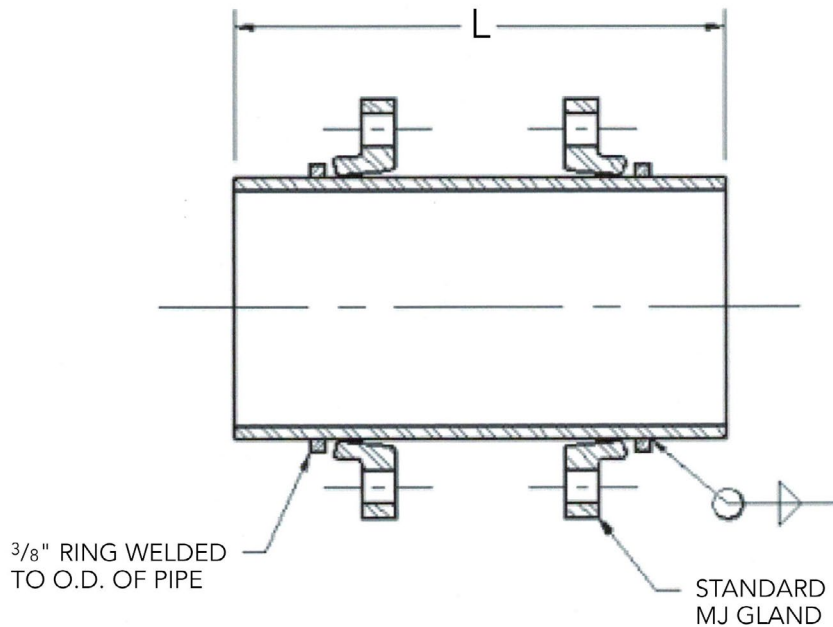
Anchor Pipe couplings are “plain end” mechanical joint fittings, with a rotating follower gland (MJ gland) on each end. The protruding plain end when fitted with a gasket, is inserted into a standardized mechanical joint bell and bolted tightly.

These fitting eliminate the need of tie rods and other costly time-consuming methods of positive, fixed placement. When used with shut-off valves, these fittings prevent the valve from blowing-off and eliminate the need for blocking. They save time and labor in installation and save time when a hydrant must be removed or replaced. They are desirable in hydrant leads for tees in the main. They can be used with a shut-off valve in place of a plug in a tee to permit extending the line during construction without interrupting the testing and/or at the stub end of a line, either branch or main to eliminate blocking and the possibility of blow-off.

Anchor pipe couplings can be furnished in any length from 12” to 18 feet. Available in any available length, they provide a positive way of assuming that hydrant installations are accurate given the dimensions and make possible standardized and uniform installations throughout the system.

All anchor pipe couplings are fabricated from Class 53 ductile iron pipe and are furnished cement lined and tar coated.

Anchor By Anchor with Welded Ring



Anchor Pipe Coupling Specifications

WELD RING TYPE

By means of continuous or full weld to both sides of the ring. Pipe and components must be free of oil, grease and rust on the surfaces to be welded.

Material Specifications:

Pipe: Per ANSI/AWWA A21.51/C151 and ANSI/AWWA C111/A21.11

Tolerance Tolerance on length of pipe shall be + or - 0.25"

Flanged Pipe Per ANSI/AWWA C115/A21.15

Flanges Per ANSI/AWWA A21.10

MJ Gland Per ANSI/AWWA C110 and C153/A21.20 & A21.53

Lining Cement lined per ANSI/AWWA A21.4

Coating Asphaltic Coating per ANSI/AWWA A21.5

Anchor Ring Ductile Iron – ASTM A536 or Carbon Steel ASTM A-36

Weld Material Mild Steel or Nickel alloy depending on specification

